

Series 100 Installation Instructions Wood Decking

Install all rear bolts into stringer when possible

1 – ¼" x 3" Lag or Stainless Steel through bolts

2 – ¼" x 1" Stainless steel washers

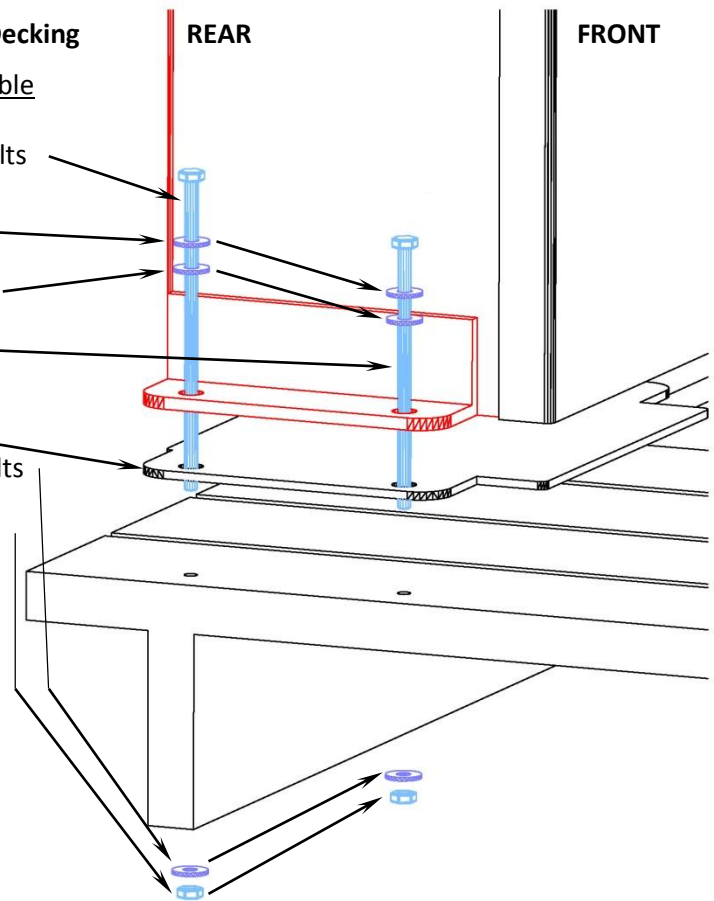
3 – ¼" x 1" Nylon Washer (supplied by DSP)

4 – ¼" -18 x 2 ½" Stainless bolts

5 – Ice & Water Barrier

6 – ¼" x 1" Stainless steel washers for SS bolts

7 – ¼" - 18 Self-locking hex nuts for SS bolts



Series 200 – 400L Installation Instructions

Install all rear bolts into stringer when possible

1 – 3/8" x 3" Lag or Stainless Steel through bolts

2 – 3/8" x 1" Stainless steel washers

3 – 3/8" x 1" Nylon Washer (supplied by DSP)

4 – 3/8"-18 Stainless through or 3/8" x 3" Lag bolts

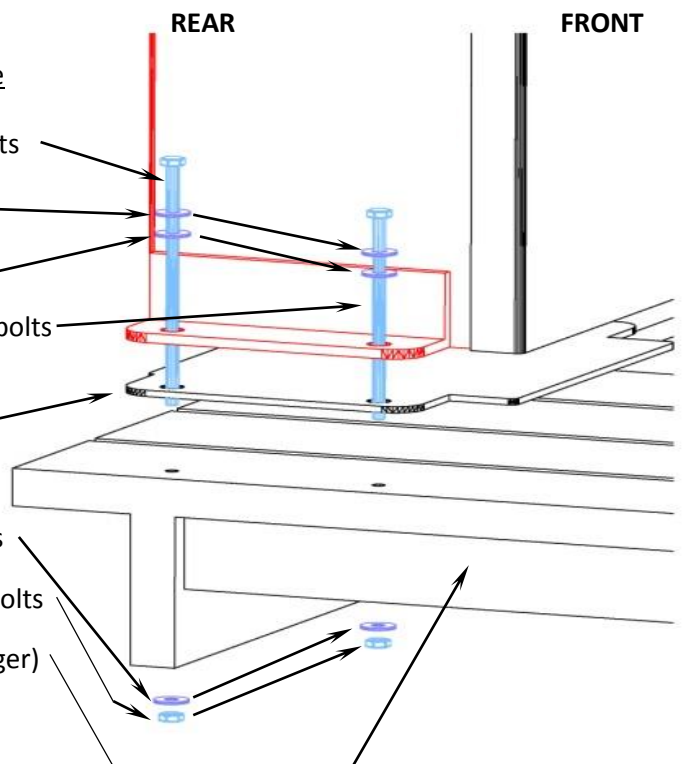
Install front bolts through dock boards into pressure treated lumber

5 – Ice & Water Barrier

6 – 3/8 x 1" Stainless steel washers for SS bolts

7 – 3/8"-18 Self-locking nuts if using through bolts

8 – Pressure Treated 2"x4"x18"lumber (or longer)



Installation Instructions on to concrete at ground level

¼" Stainless steel expansion bolts for the 100 series model, 3/8" Stainless steel expansion bolts (All others) 1" dia. Stainless steel flat washers, Nylon washers supplied by DSP, Layout same as above.