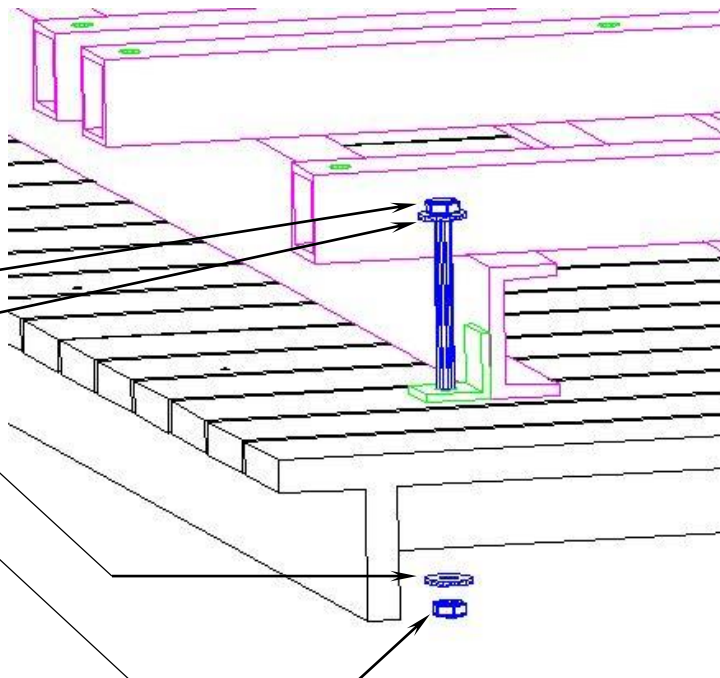


Series Transformer frame Installation Instructions Wood Decking

Install all rear bolts into stringer when possible

- 1 – ¼" x 3" Lag or Stainless Steel through bolts
- 2 – ¼" x 1" Stainless steel washers
- 3 – ¼" x 1" Stainless steel washers for SS bolts
- 7 – ¼" - 18 Self-locking hex nuts for SS bolts



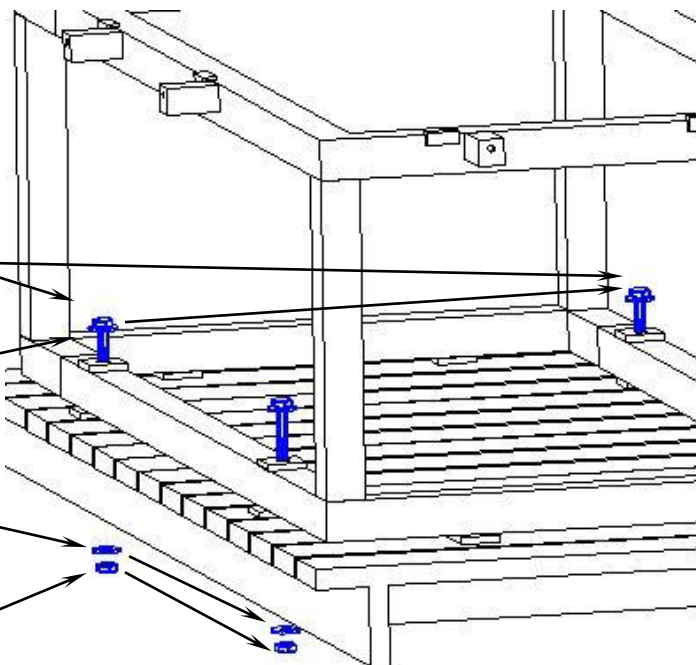
Transformer housing Installation Instructions

REAR

FRONT

Install all rear bolts into stringer when possible

- 1 – 3/8" x 3" Lag or Stainless Steel through bolts
- 2 – 3/8" x 1" Stainless steel washers
- 3 – 3/8" x 1" Stainless steel washers for SS bolts
- 4 – 3/8"-18 Self-locking nuts if using through bolts



Installation Instructions into Concrete

¼" Stainless steel expansion bolts for the 100 series model, 3/8" Stainless steel expansion bolts (All others) 1" dia. Stainless steel flat washers, Nylon washers supplied by DSP, Layout same as above.